

Keyless Entry



We take the worry out of
protecting what's valuable to you.
Lockwood: *no worries*[®]

LOCKWOOD

ASSA ABLOY

25YEAR

**MECHANICAL
WARRANTY**

www.lockweb.com.au

Contents



Keyless Entry

Lockset Nexion

page 3



Keyless Electronic

Deadlatch 001 Touch™

page 7



Code Handle

Left & Right Handed Keyless Lockset

page 10



002 Digital DX

Deadlatch

page 12



530 Digital DX

Entrance Set

page 14



Mortice Digital DX

Lockset

page 16



Digital DX Lockset

3582, 3592 Short Backset

page 18



Digital DX Lockset

3572 Key Override

page 20

Nexion® Keyless Entry Lockset - Vision



This stylish lockset combines the security of an automatic deadlatch with added safety features, plus the convenience of keyless operation using the Q-Key remote control.

Designed and manufactured to the highest quality standard, the Lockwood Nexion range has set the benchmark for safety, security and style. The Nexion range of deadlatches offers the ultimate protection for your home and family.

Remote Operation Convenience

- 3 meter range keyless operation with Q-Key remote control
- Use same remote with multiple Nexion Keyless Entry Locksets
- Up to 50 Q-Key remotes can be programmed
- Provides audio and visual indication of lock activation and deactivation

Key Override

Mechanical override key and low battery indicator system.

Product Details

Backset	60mm standard and 70mm backset latch available as an accessory on some models
Batteries	4 AA Alkaline batteries
Case/Cover	High Purity Zinc Alloy
Cylinders	Internal and external, 5 pin tumbler mechanism with 6 pin capability, brass cylinders and brass barrels
Door Thickness	35 to 45mm
Durability	D8-High durability for maximum frequency usage
Finishes	Satin Chrome (SC) Satin Pearl (SP) Chrome Plate (CP)
Latch	13mm projection brass bolt
Security	S.7 High security for maximum protection (AS4145.2-2008)

Standards and Compliance

SL7	(Security) Australian Lock Standard (AS4145.2.2008)
D8	(Durability) Australian Lock Standard (AS4145.2.2008)
C5	(Corrosion) Australian Lock Standard (AS4145.2.2008)
CE	CE Approved
C	C-tick certified
	Conforms to Australian Standard (AS4145.2-2008 S.7D8C5K6)

Nexion® Keyless Entry Lockset - Vision

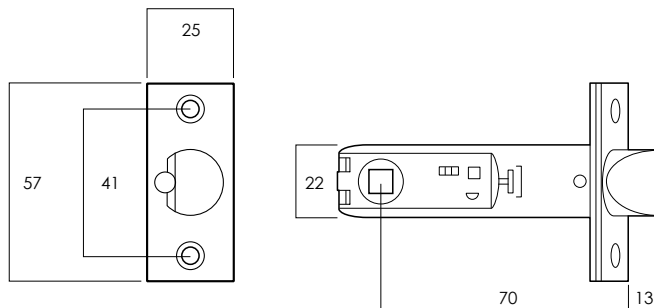
Quick Installation

- Suitable for inward and outward opening doors of a thickness between 35–45mm. Factory set for left hand opening doors, easily changed for right hand opening doors.
- Retrofits to standard 54mm bore hole with minimal door preparation.

Range of Styles to Suit Your Home

The Nexion Keyless Entry Lockset is available in a range of lever styles, allowing you to achieve a consistent style throughout your home.

Latch Dimensions



Kinetic Defence®
Bump and pick resistant.



Deadlatch Bolt
13mm projection brass bolt.



SafetyRelease™
Minimises the risk of being locked in.
Note: Applies to double cylinder locksets



2 Keys Included
Can be keyed alike to other Lockwood door locks.



Remote Access
Remote Control Locking.



Quick Installation
Suitable for door thicknesses between 35–45mm.



LockAlert®
Interior Indicator shows lock status at a glance.



Retrofiable
Fits majority of doors with 54mm hole.



Safety Mode
Securely locked from outside and free from inside.



Batteries Included



Secure Mode
Securely locked from both inside and outside. For when nobody is home.



Passage Mode
Free to enter from outside and free to exit from inside.

Nexion® Keyless Entry Lockset

Vision

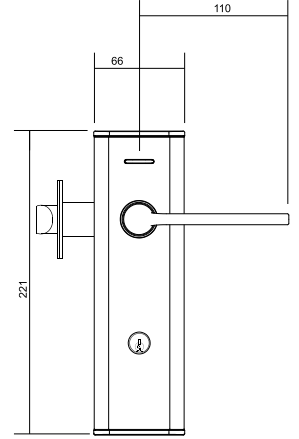
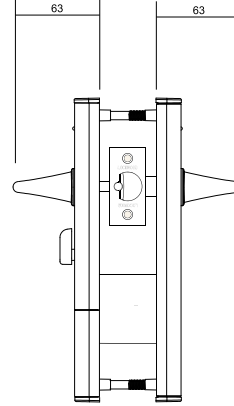
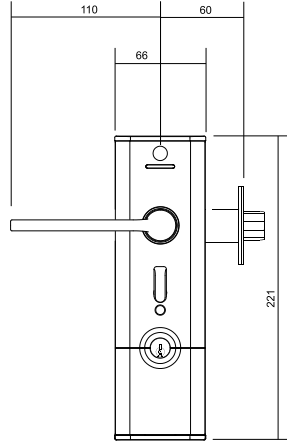


Exterior



Interior

Q-Key



Nexion® Keyless Entry Lockset

Accessories Ordering Information

Part Numbers	Product Description
NXV8/10BLKDP	Q-Key Keyless Remote - Display Pack Only
NX8/20SC	Rebate Kit - Trade Pack
NX8/40SC	Metal Frame Strike Kit - Trade Pack Only

Note: Finishes: SC Satin Chrome
 SP Satin Pearl
 CP Chrome Plate

Nexion Ordering Information

Series	Function	Cylinder	Application Option	Lever/ Knob	Finish	Options
NXV	2	2	1	L2	CP	5KA

Series	Cylinder	Knob/Lever Style	Options
Nexion Vision NXV	Double Cylinder 2	Summit L1	Special Keying –Residential
Nexion Classic NX		Spire L2	Key-Alike 5P 5KA
Nexion Vision Fire Rated NFV		Element L3	Key-Alike 6P 6KA
Nexion Classic Fire Rated NF		Glide L4	Project Keyed 5P 5PK
		Hakea 28	Project Keyed 6P 6PK
		Acacia 29	Restricted Profile 5P 5RP
		Saltbrush 34	For other keying options contact Lockwood Sales Office.
Application Options		Finish	
	Timber Frame Strike 1	Satin Chrome SC#	
		Satin Pearl SP	
		Chrome Plate CP	

Function
Mechanical 1
Keyless Entry 2

Satin Chrome finish available with Vision plate only.

001Touch™ Keyless Digital Deadlatch



For more than seven decades Lockwood has been securing homes in Australia. Today Lockwood is proud to launch the future of keyless locking. The 001Touch™ combines a stylish digital touch screen keypad with the security of the iconic Lockwood 001® Deadlatch. The simple convenience of using a PIN code means you never have to carry keys again!

Illuminated Touchscreen Keypad

The touch screen keypad has no mechanical buttons which means no trace of your secret PIN code.

PIN Code or Key Card

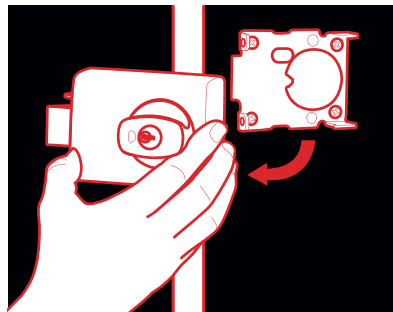
Choose the convenience of a PIN code or key card. One master PIN code will manage up to twenty user PIN codes. Up to 20 key cards can also be programmed.

Cryptic Code Function

Prevent others from identifying your PIN code during access. The cryptic code function confuses the onlooker but at the same time allows you to still gain entry.

Retrofittable

Replace your existing 001 Deadlatch™.



Product Details

001Touch Chrome	001T-1K1CPDP
Backset	60mm
Battery Cover	High quality ABS plastic
Door Thickness	32mm to 50mm
Finishes	Chrome Plate (CP)
Keycard	RFKC10
Keyfob	RFKF10
Key Pad Case	High purity zinc alloy
Latch	Stainless steel 18mm projection

001Touch™ Keyless Digital Deadlatch

Secure Mode

Secure mode gives the option to lock the 001Touch™ internally with a key. This secures the door on both sides with the ability to unlock the door with a PIN code or key card externally.

User Code that Expires

A temporary code can be programmed to last from three hours to two weeks. This is ideal when a tradesman needs access for a few hours or when a neighbour is house sitting.

Visual Guide for Programming

For added convenience, an illuminated guide will assist in the programming of key features.

Low Power Consumption

Four standard AA batteries will unlock a door up to 10,000 times. A warning light will appear when the battery level reaches less than 30%.

Battery Check Function

The battery level can be checked without removing the batteries. A simple sequence reveals the battery level between 30%–100%.

Smart Memory

The settings, codes and key cards will remain programmed in the lock in the event the batteries are depleted.

Emergency Battery Connection

The settings, codes and key cards will remain programmed in the lock in the event the batteries are depleted.

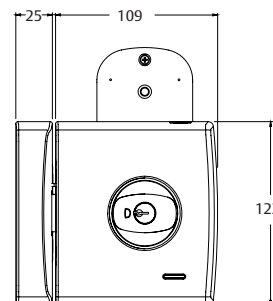
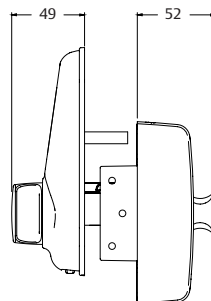
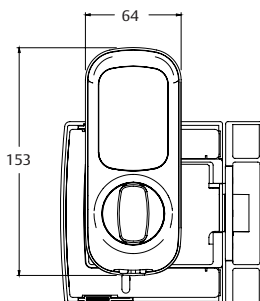
001Touch™ Keyless Digital Deadlatch



Exterior



Interior



Digital Touch Screen
Illuminated keypad.



Proximity Card
2 Key Cards included.



SafetyRelease™
Minimises the risk of being locked in.



Retrofitable
Replace your existing 001 Deadlatch™.



LockAlert®
Interior Indicator shows lock status at a glance.



Emergency Battery Connection
In the event your batteries are depleted.



Safety Mode
Securely locked from outside and free from inside.



Batteries Included



Secure Mode
Securely locked from both inside and outside. For when nobody is home.



Passage Mode
Free to enter from outside and free to exit from inside.



Deadlatch Bolt
Stainless steel 18mm projection.



2 Keys Included
Can be keyed alike to other Lockwood door locks.

Code Handle Keyless Lockset



Lockwood's innovative door handle with integrated electronic security, offers simple and effective keyless locking, without compromising aesthetics.

Designed to enable conveniently controlled access to a door with easy installation. Code Handle is ideal for offices, store rooms or a study at home.

The Code Handle provides flexible locking options for doors that need to be always locked or alternatively can be left open to provide free access during the day and locked at night. The Code Handle is recommended for indoor use only.

Key Features

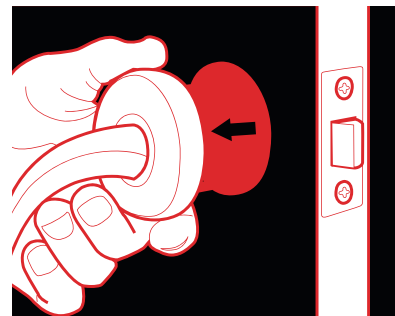
- Lever handle with integrated code lock
- Program up to 9 User codes, 4-6 digits in length
- Keypad access control lever
- Supplied with Lockwood 530 60mm latch
- Easy to install
- Ideal for retrofit installations
- Programmable administration code for setting lock operation and user programming
- Manual or automatic locking
- Passage mode
- Code lockout after 5 incorrect attempts
- Durable stainless steel handles
- Left and right handed versions

Product Details

Backset	60mm (70mm latches available)
Door Thickness	32 to 55mm
Finish	Satin Pearl with Stainless Steel (SP) (SS)
Installation	25mm latch hole and 54mm lock hole
Latch	Brass 13mm projection deadlatch

Retrofittable

Fits majority of doors with a 54mm hole. Designed to provide convenient keyless access to a door by replacing the existing door handle.



Code Handle Keyless Lockset

Code Handle Keyless Lockset

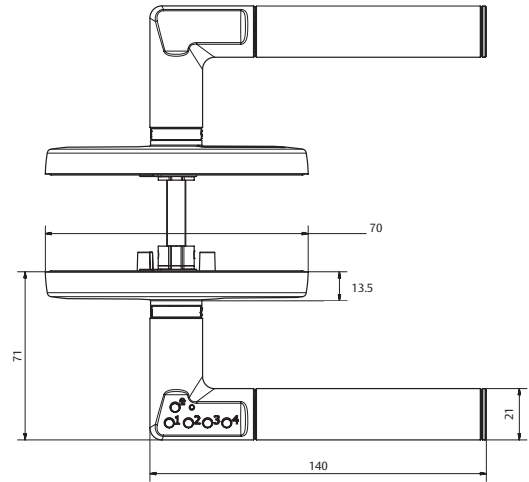
 **Left Hand Code Handle** 8816LSS

 **Right Hand Code Handle** 8816RSS

**CODE HANDLE LATCH
70MM BACKSET** 8823-70



Exterior



Door Thickness
32-55mm.



Quick Installation
Fitting instructions
included



Batteries Included
30,000 operations before
replacement.

002 Digital DX Deadlatch



The Lockwood Digital DX Locksets provide a mechanical method of keyless entry and are designed to control access into commercial areas, especially when frequent combination changes are needed to maintain security.

For extra security when under forced attack, the inbuilt clutching mechanism allows the outside knob to rotate without operating or damaging the lock.

The factory set 5 digit code is easily changed to any 4, 5 or 6 digit code using the code changing kit provided with each lock.

As the digital lockset utilizes mechanical operation, electrical wiring is not required.

002 Digital DX Locks suit right or left hand opening in doors. Versions for outward opening doors or doors with metal frames sold separately.

Key Features

Outside Function

Press the C button, enter the correct code, then turn the knob to unlock the door. Upon releasing the turn knob the code is automatically cancelled.

Inside Function

Opened by knob/lever at all times.

Hold-Back Function

Bolt hold-back function activated by rotating inside knob/lever clockwise, past 90 degrees.

Product Details

Backset	60mm
Door Thickness	32mm to 45mm
Finish	Satin Chrome Brushed* (SC)
Internal Case Assembly	High purity zinc alloy, 92mm wide, 72mm high, 54mm projection
Latch	18mm projection, stainless steel

* Finish denotes the finish on the digital code pad, the 002 lock body is supplied in satin chrome pearl.

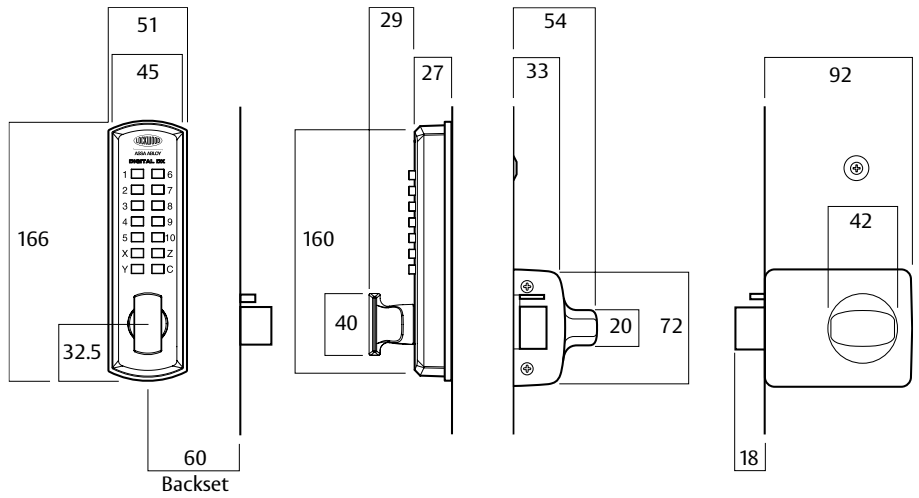
002 Digital DX Deadlatch



Exterior



Interior



Hold Back
Bolt hold-back function
activated by rotating inside
knob/lever clockwise, past
90 degrees.

530 Digital DX Entrance Set



The Lockwood Digital DX Locksets provide a mechanical method of keyless entry.

For extra security when under forced attack, the inbuilt clutching mechanism allows the outside knob to rotate without operating or damaging the lock.

The factory set 5 digit code is easily changed to any 4, 5 or 6 digit code using the code changing kit provided with each lock.

Lockwood Digital DX Locksets are designed to control access into commercial areas, especially when frequent combination changes are needed to maintain security.

As the digital lockset utilizes mechanical operation, electrical wiring is not required.

530 Digital DX Locks suit right or left hand doors opening inward and outward.

Key Features

Outside function

Press the C button, enter the correct code, then turn the knob to unlock the door. Upon releasing the turn knob the code is automatically cancelled.

Inside function

Opened by knob/lever at all times.

Product Details

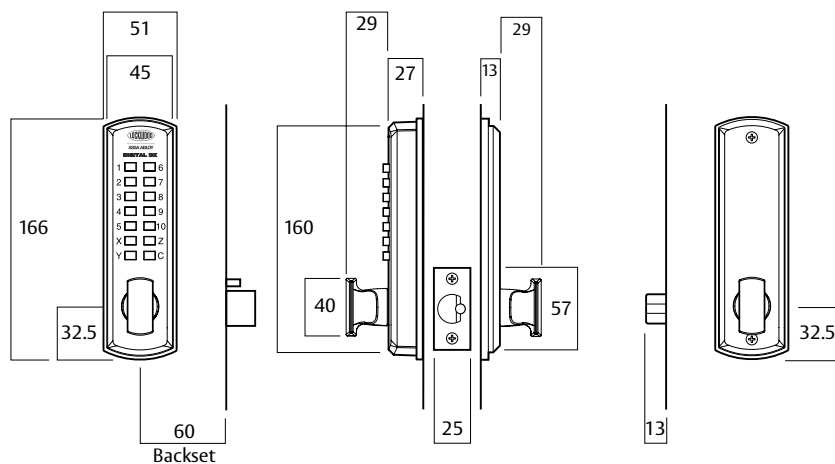
Backset	60mm, 70mm and 1277mm latches available separately on application
Door Thickness	32mm to 45mm
Finishes	Satin Chrome Brushed (SC)
Latch	Brass 13mm projection deadlatch

* Options: Also available in double keypad version, which provides a keypad on each side of the door.

530 Digital DX Entrance Set



Interior Exterior



Fire Rated

Successfully tested to 2 hours on fire door assemblies in accordance with Australian Standard AS 1905.1 2005 - Part 1, Fire Resistant Doorsets.

Mortice Digital DX Lockset



The Lockwood Digital DX Locksets provide a mechanical method of keyless entry and are designed to control access into commercial areas, especially when frequent combination changes are needed to maintain security.

For extra security when under forced attack, the inbuilt clutching mechanism allows the outside knob to rotate without operating or damaging the lock.

The factory set 5 digit code is easily changed to any 4, 5 or 6 digit code using the code changing kit provided with each lock.

As the digital lockset utilizes mechanical operation, electrical wiring is not required.

3570 Mortice Digital DX Locksets facilitate the combination of 3572 Series Cylinder Mortice Locks, Lockwood 1800 or 2800 Series and DX Digital code pad to provide keyless entry.

Key Features

Outside Function

Press the C button, enter the correct code, then turn the knob to unlock the door. Upon releasing the turn knob the code is automatically cancelled.

Inside Function

By lever handle or knob at all times.

Hold-Back Function

A key operated hold-back function is available upon request. This is achieved by a pin tumbler cylinder on the inside allowing the bolt to be held back.

Product Details

Backset	60mm
Door Thickness	32mm to 50mm
Finish	Satin Chrome Brushed (SC)
Internal Case Assembly	High purity zinc alloy, 92mm wide, 72mm high, 54mm projection
Latch	18mm projection, stainless steel

Extended backsets 89mm and 127mm on application. Door Furniture Lockwood 1800 and 2800 Series (ordered separately).

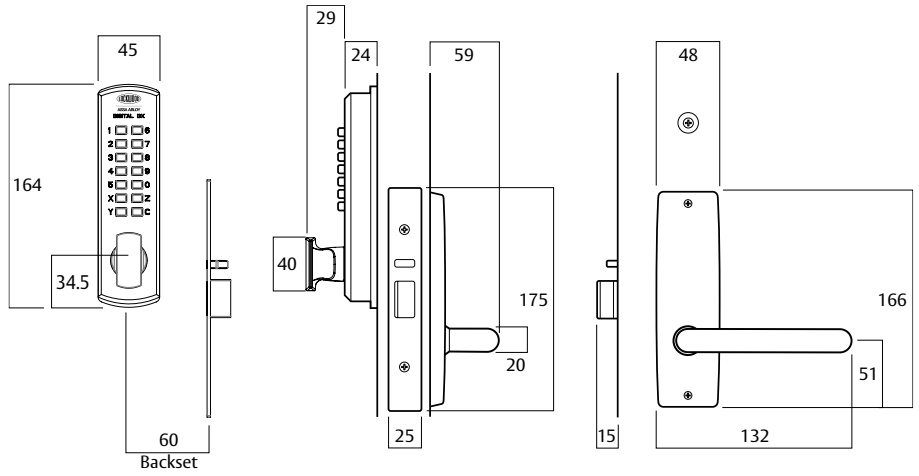
Mortice Digital DX Lockset



Exterior



Interior



Fire Rated

Successfully tested to 4 hours on fire door assemblies in accordance with Australian Standard AS 1905.1 2005 - Part 1, Fire Resistant Doorsets.

3582, 3592 Short Backset Digital DX Lockset



The Lockwood Digital DX Locksets provide a mechanical method of keyless entry.

For extra security when under forced attack, the inbuilt clutching mechanism allows the outside knob to rotate without operating or damaging the lock.

The factory set 5 digit code is easily changed to any 4, 5 or 6 digit code using the code changing kit provided with each lock.

Lockwood Digital DX Locksets are designed to control access into commercial areas, especially when frequent combination changes are needed to maintain security.

As the digital lockset utilizes mechanical operation, electrical wiring is not required.

3580 Mortice Digital DX Locksets facilitate the combination of 3582 Series Cylinder Mortice Locks, Lockwood 4800 or 5800 Series and DX Digital code pad to provide keyless entry.

Key Features

Backset

Open-out door: 23, 25.4, 30 and 38mm. Open-in door: 38mm recommended. Installation of 23, 25.4 or 30mm on open-in doors would require the door stop to be machined to clear the digital pad.

Inside Function

Opened by knob/lever at all times.

Product Details

Door Thickness	32 to 50mm for timber doors. 35 to 50mm for metal doors
Finish	Satin Chrome Brushed (SC)
Internal Case Assembly	High purity zinc alloy, 92mm wide, 72mm high, 54mm projection
Latch	18mm projection, stainless steel

Note: As suitability of lever will be influenced by the lock backset, refer to chart for Lever/Backset compatibility Lockwood Door Handle Catalogue. Lockwood 4800 and 5800 Series (ordered separately).

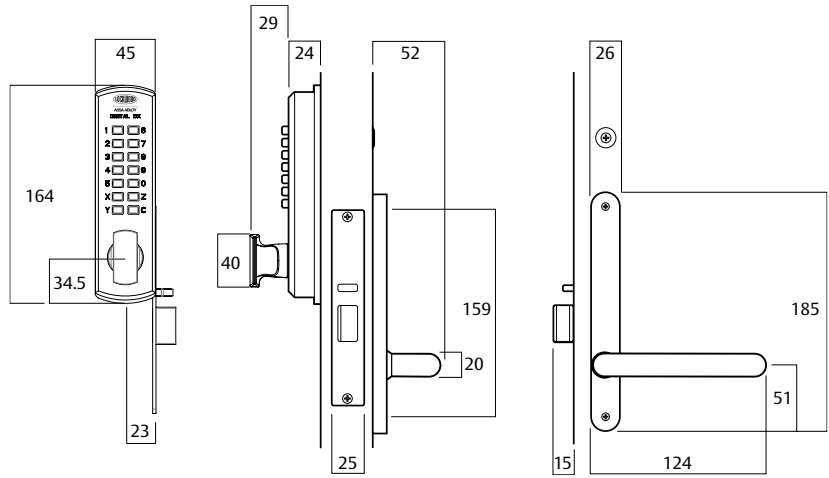
3582, 3592 Short Backset Digital DX Lockset



Exterior



Interior



3572 Key Override Digital DX Lockset



The Lockwood Digital DX Locksets provide a mechanical method of keyless entry and are designed to control access into commercial areas, especially when frequent combination changes are needed to maintain security.

For extra security when under forced attack, the inbuilt clutching mechanism allows the outside knob to rotate without operating or damaging the lock.

The factory set 5 digit code is easily changed to any 4, 5 or 6 digit code using the code changing kit provided with each lock.

As the digital lockset utilizes mechanical operation, electrical wiring is not required.

3570 Mortice Digital DX Locksets facilitate the combination of 3572 Series Cylinder Mortice Locks, 577 cylinder assemblies, Lockwood 1800 or 2800 Series and DX Digital code pad to provide keyless entry with key override.

Key Features

Outside Function

Outside: Press the C button, enter the correct code, then turn the knob to unlock the door. Upon releasing the

turn knob the code is automatically cancelled. The key override pin tumbler cylinder enables quick access by key for authorities such as the fire brigade or those who need to carry a master key to access all rooms of a building. Inside: By lever handle or knob at all times.

Inside Function

By lever handle or knob at all times.

Hold-Back Function

A key operated hold-back function is available. This is achieved by a pin tumbler cylinder on the inside allowing the bolt to be held back. Will also require change to internal furniture plate.

Restricted Special Keying

Lockwood locks can be keyed to a number of controlled and/or specially keyed systems. These range from legally protected keys to protect against unauthorised duplication, which can also include specially designed key systems such as master key systems, which allow for different levels of mechanical access control.

Please refer to Lockwood Catalogue Cylinders & Keying for keying systems or contact your local sales office or customer service for specific information.

Product Details

Backset	60mm
Cylinder	Pin tumbler mechanism with round brass cylinder
Door Thickness	35mm to 50mm
Finish	Satin Chrome Brushed* (SC)
Lock Assembly	3572 Series Cylinder Mortice Deadlatch

* Extended backsets 89 and 127mm on application. For furniture to suit 3572 Series Locksets select from Lockwood 1800 and 2800 Series. (ordered separately).

Standard Keying

- Supplied individually keyed with two keys per lock
- 78,000 key combinations
- Key blank KB2015P

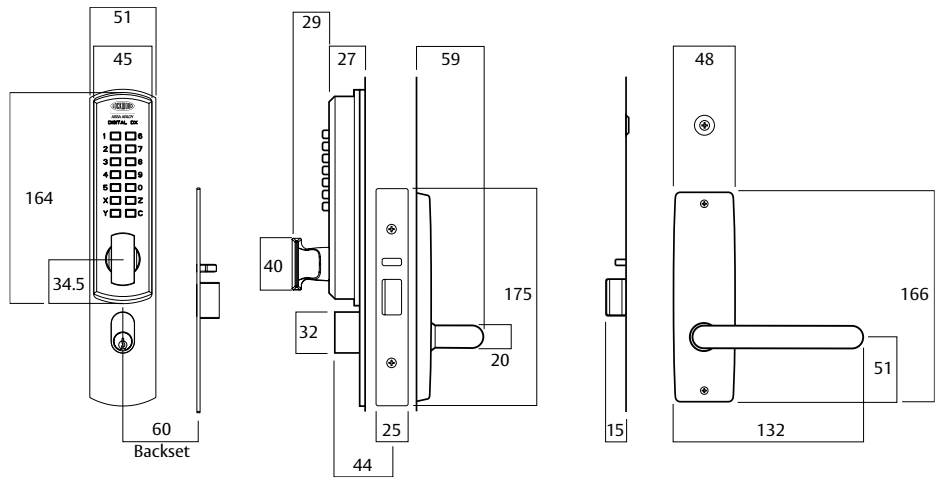
3572 Key Override Digital DX Lockset



Exterior



Interior



Fire Rated

Successfully tested to 4 hours on fire door assemblies in accordance with Australian Standard AS 1905.1 2005 - Part 1, Fire Resistant Doorsets.

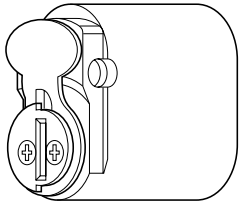
Mortice Digital DX Accessories

Hold-Back Cylinder

Special cylinders with levers that enable the latchbolt to be held in the retracted position. This cylinder type hold-back can only be applied or released by the key. These special cylinders are available on application and are supplied handed to suit lock function. Can only be installed to internal side of digital 3572 Locks.

Standard Finishes

Satin Chrome Brushed **SC**



Hold-back Cylinder

Series	Right Hand	Left Hand
3570 Locks	SP3570-2402SC	SP3570-2452SC
3580 Locks	SP3580-2402SC	SP3580-2452SC

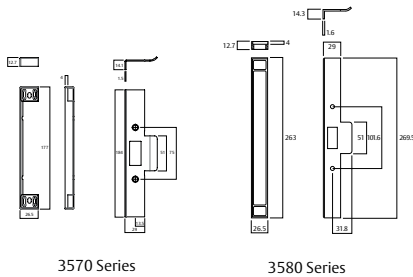
*To order, add finish to part number eg. 3570-2402CP

Rebate Kits

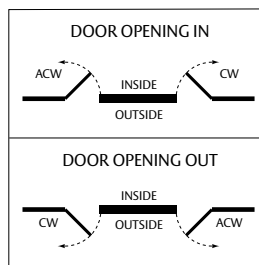
Rebate kits suit standard 13mm rebate.

Standard Finishes

Satin Chrome Brushed **SC**



Handing



CW (Clockwise)

ACW (Anti-Clockwise)

Left Hand open in and Right Hand open out.

Left Hand open out and Right Hand open in.

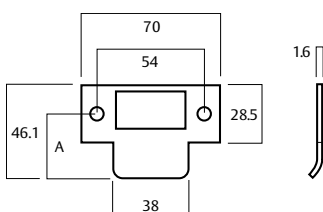
Rebate Kit Part Numbers

Series	Part Numbers
3570	3P72-RK32SS
3580	3580-2902 CWSC—Clockwise 3580-2902ACWSC—Anti-Clockwise

Short/Extended Lipped Strikes

Standard Finishes

Satin Chrome Brushed **SC**



Strike Part Numbers

Finish	(A)	Part Number
SSS	25.4mm	SP3570-4053SSS
SSS	32mm	SP3570-5053SSS
SSS	43.5mm	SP3570-5253SSS
SSS	47.5mm	SP3570-5453SSS
530 Series		
SC	40mm	SP530-153SC

Mechanical Digital DX Mortice Locks

Ordering Procedure

Sample part number 3572DXKORSC is made up of several sections. Choose your product by selecting an option from each section.

Mortice Digital DX Locks Ordering Procedure

Product	Function	Special Spec.	Handing	Finish	Special Functions
3	572DX	KO	R	SC	

Product	Special Specification	Finish
60mm	None	Satin Chrome Brushed SC
89mm	Key Override KO	
127mm		
Short Backset	Handing	Special Functions
23mm	Right Handed R	None
25.4mm	Left Handed L	No Cylinders NCYL
30mm		
38mm		

Function	
Mortice Lock	572DX
Short Backset Mortice Lock (Metal Door)	582DX
Short Backset Mortice Lock (Timber Door)	592DX

002/530 Digital DX Ordering Procedure

Hardware Code	Keypad Code	Finish	Packaging	Special Functions
530	DX	SC	DP	

Hardware Code	Keypad Code	Finish	Packaging	Special Functions
530 Latch Plate	Digital DX	Satin Chrome Pearl SC	Display Pack DP	None
002 Deadlatch Knob Timber Frame		* 530 Variations only	Trade Pack -	Double Keypad /PADSX2
002 Deadlatch Knob Metal Frame				* Double keypad version available 530 variations in trade pack only
002 Deadlatch Knob Open Out				
002 Deadlatch Lever Timber Frame				
002 Deadlatch Lever Metal Frame				
002 Deadlatch Lever Open Out				



ASSA ABLOY

Lockwood is the leading brand in the Australian locking industry. With an established reputation for high quality products, this iconic brand provides a wide range of locking solutions to residential housing, commercial, semi-commercial, building and industrial application markets. Lockwood is supported by an extensive distribution and after-sales support network. Our customers include retailers, architects, trade and industrial personnel, locksmiths and security dealers.

ASSA ABLOY is the global leader in door opening solutions, dedicated to satisfying end-user needs for security, safety and convenience.

ASSA ABLOY is represented in all major regions, in both mature and emerging markets, with leading positions in Australia, Europe and North America.

**25YEAR
MECHANICAL
WARRANTY**

The Lockwood 25 Year Mechanical Warranty

Our belief that we manufacture the finest premium products available in today's market place is backed by the Lockwood 25 Year Mechanical Warranty, ensuring that Lockwood continues to keep Australians safe by delivering security and peace of mind.

For warranty terms and conditions, please visit www.lockweb.com.au or call **1300WARRANTY**

ASSA ABLOY Australia Pty Ltd
235 Huntingdale Road
Oakleigh, Victoria, 3166
Australia

1300 LOCK UP (1300 562 587)
lockweb.com.au

ASSA ABLOY New Zealand Ltd
6 Armstrong Road
Albany, Auckland, 0632
New Zealand

info.nz@assaabloy.com
Telephone +64 9415 7111
assaabloy.co.nz

Disclaimer

Whilst every effort has been made to ensure that the information (including product images and drawings) contained in this brochure is accurate at the time of publication, ASSA ABLOY Australia Pty Limited ("ASSA ABLOY") recommends that you consult ASSA ABLOY or its agents prior to placing an order to ascertain current information on specific products, as ASSA ABLOY reserves the right to make changes without notice. ASSA ABLOY will not be liable for any injury, loss or damage whatsoever, arising from any errors or omissions in the information contained in the brochure or arising from the use or application of the information contained herein. © 2020 copyright by ASSA ABLOY All rights reserved

